

# Elevate Aisle Containment Manual Double Row Sliding Doors for 1200 Aisle



## Product Overview

The Elevate Aisle Containment Double Sliding Glass Door is expertly engineered to seal the two ends of a cold aisle containment system, isolating hot and cold air to enhance cooling efficiency in data centers and similar environments. This cutting-edge solution integrates manual glass doors, a durable door frame, and lintel.

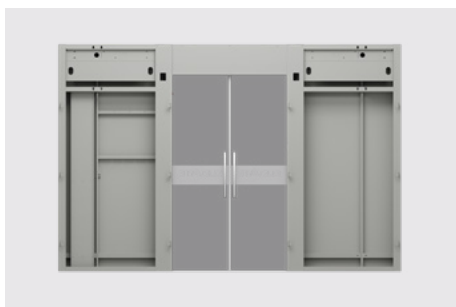
Designed for optimal cold aisle sealing, this system delivers superior performance while maintaining precise control over the environment. It's the perfect solution for those seeking to enhance the efficiency, and safety of their cold aisle containment system.

- ✓ Available in black and white finish
- ✓ Supplied with 12mm Tempered Glass Doors
- ✓ Pocket design with manual operation
- ✓ Dampened motion with synced doors
- ✓ Not available with monitoring system
- ✓ Does not feature access control

## Product Specifications

Feature	Values
Type	Double Row
Cold Aisle Width	1200mm
Compatible Depth of Cabinet	1000mm/1200mm
Compatible Height of Cabinet	42U, 47U, 52U
Tempered Glass Thickness	12mm
Glass Transmittance Ratio	≥90%
Material	SPCC
Sliding Door Track	Aluminum profile
Emergency Stop Button	23mm self-locking button with protective cover
Skylight Control Button (Optional)	Skylight automatic reset function
Type of Surface	Powder coated
Colour	White/Black
RAL-number	9003 (White), 9004 (Black)

## Product Features



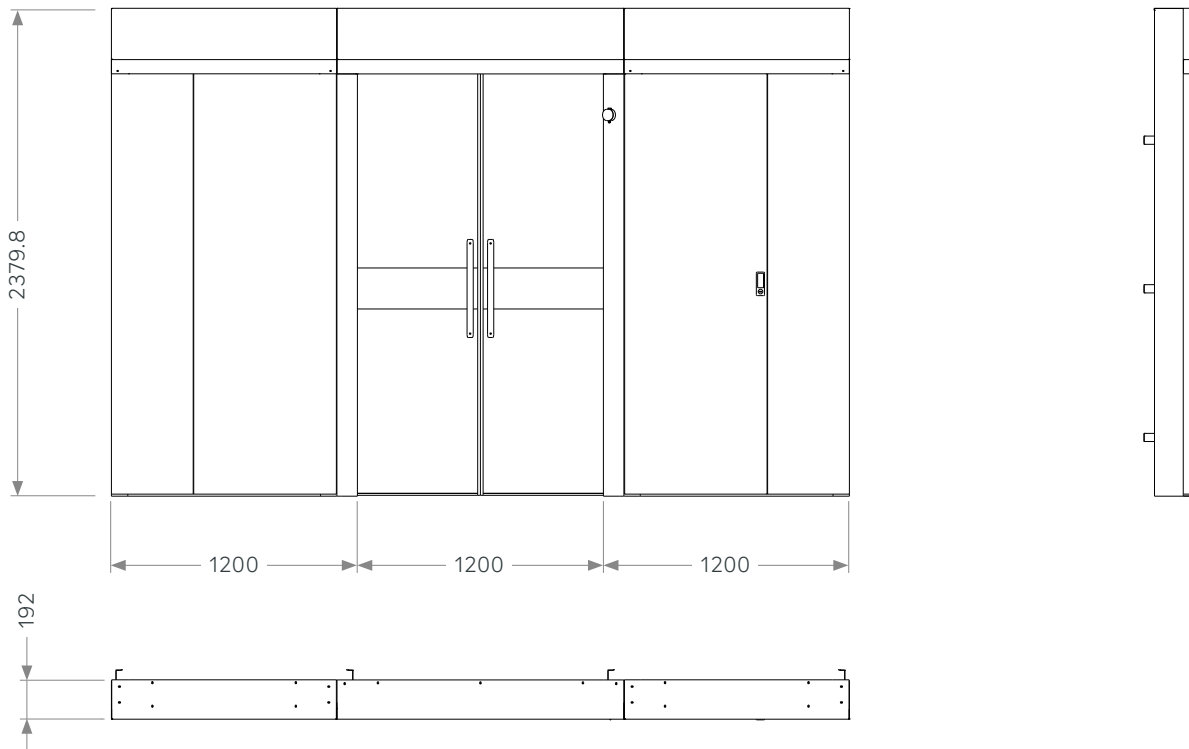
Doors are contained with a fixed structure connected to the Cold Aisle Racks providing a solid structure and allowing for pocket door design with manual opening. The design ensures a high level of sealing between the doors and cabinets, securing the airflow management for the cold aisle design.

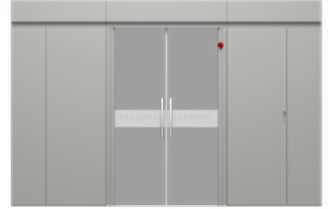
## Product Standards

Applicable standard	Description
Directive 2008/98/EC (WFD)	Waste Framework Directive — compliant. Implemented in the UK through the Waste (England and Wales) Regulations 2011 (SI 2011 No. 988).
ECHA SCIP Database	Compliant; product does not contain SVHCs (Substances of Very High Concern) as defined under REACH Article 33(1). Submission obligations met under EU REACH and UK REACH.
Regulation (EU) 2019/1021 (POPs)	EU Regulation on Persistent Organic Pollutants — compliant. For Great Britain, compliance is aligned with the Persistent Organic Pollutants (Amendment) (EU Exit) Regulations 2020 (SI 2020 No. 1355).
Directive 2011/65/EU (RoHS II)	Restriction of the Use of Certain Hazardous Substances in Electrical and Electronic Equipment — compliant. Applies within EU member states.
Directive (EU) 2015/863 (RoHS III)	Amending Directive 2011/65/EU to add four phthalates (DEHP, BBP, DBP, DIBP) to Annex II — compliant.
UK SI 2012 No. 3032	The Restriction of the Use of Certain Hazardous Substances in Electrical and Electronic Equipment Regulations 2012 (UK RoHS) — compliant for Great Britain. Retained EU law, as amended by the Product Safety and Metrology (Amendment etc.) (EU Exit) Regulations 2019.

## Product Drawing

Dimensions shown for 573-4210-12D-MAN





## Part Number Table - White

Part Number	Description
573-4210-12D-MAN-WH	Elevate Aisle Containment Manual (Double Row) Sliding Door 42U Racks 1000 Deep white
573-4710-12D-MAN-WH	Elevate Aisle Containment Manual (Double Row) Sliding Door 47U Racks 1000 Deep white
573-5210-12D-MAN-WH	Elevate Aisle Containment Manual (Double Row) Sliding Door 52U Racks 1000 Deep white
573-4212-12D-MAN-WH	Elevate Aisle Containment Manual (Double Row) Sliding Door 42U Racks 1200 Deep white
573-4712-12D-MAN-WH	Elevate Aisle Containment Manual (Double Row) Sliding Door 47U Racks 1200 Deep white
573-5212-12D-MAN-WH	Elevate Aisle Containment Manual (Double Row) Sliding Door 52U Racks 1200 Deep white
573-4210-12SLH-MAN-WH	Elevate Aisle Containment Manual (Single Row Left Hand) Sliding Door 42U Racks 1000 Deep white
573-4710-12SLH-MAN-WH	Elevate Aisle Containment Manual (Single Row Left Hand) Sliding Door 47U Racks 1000 Deep white
573-5210-12SLH-MAN-WH	Elevate Aisle Containment Manual (Single Row Left Hand) Sliding Door 52U Racks 1000 Deep white
573-4212-12SLH-MAN-WH	Elevate Aisle Containment Manual (Single Row Left Hand) Sliding Door 42U Racks 1200 Deep white
573-4712-12SLH-MAN-WH	Elevate Aisle Containment Manual (Single Row Left Hand) Sliding Door 47U Racks 1200 Deep white
573-5212-12SLH-MAN-WH	Elevate Aisle Containment Manual (Single Row Left Hand) Sliding Door 52U Racks 1200 Deep white
573-4210-12SRH-MAN-WH	Elevate Aisle Containment Manual (Single Row Right Hand) Sliding Door 42U Racks 1000 Deep white
573-4710-12SRH-MAN-WH	Elevate Aisle Containment Manual (Single Row Right Hand) Sliding Door 47U Racks 1000 Deep white
573-5210-12SRH-MAN-WH	Elevate Aisle Containment Manual (Single Row Right Hand) Sliding Door 52U Racks 1000 Deep white
573-4212-12SRH-MAN-WH	Elevate Aisle Containment Manual (Single Row Right Hand) Sliding Door 42U Racks 1200 Deep white
573-4712-12SRH-MAN-WH	Elevate Aisle Containment Manual (Single Row Right Hand) Sliding Door 47U Racks 1200 Deep white
573-5212-12SRH-MAN-WH	Elevate Aisle Containment Manual (Single Row Right Hand) Sliding Door 52U Racks 1200 Deep white



## Part Number Table - Black

Part Number	Description
573-4210-12D-MAN-BK	Elevate Aisle Containment Manual (Double Row) Sliding Door 42U Racks 1000 Deep black
573-4710-12D-MAN-BK	Elevate Aisle Containment Manual (Double Row) Sliding Door 47U Racks 1000 Deep black
573-5210-12D-MAN-BK	Elevate Aisle Containment Manual (Double Row) Sliding Door 52U Racks 1000 Deep black
573-4212-12D-MAN-BK	Elevate Aisle Containment Manual (Double Row) Sliding Door 42U Racks 1200 Deep black
573-4712-12D-MAN-BK	Elevate Aisle Containment Manual (Double Row) Sliding Door 47U Racks 1200 Deep black
573-5212-12D-MAN-BK	Elevate Aisle Containment Manual (Double Row) Sliding Door 52U Racks 1200 Deep black
573-4210-12SLH-MAN-BK	Elevate Aisle Containment Manual (Single Row Left Hand) Sliding Door 42U Racks 1000 Deep black
573-4710-12SLH-MAN-BK	Elevate Aisle Containment Manual (Single Row Left Hand) Sliding Door 47U Racks 1000 Deep black
573-5210-12SLH-MAN-BK	Elevate Aisle Containment Manual (Single Row Left Hand) Sliding Door 52U Racks 1000 Deep black
573-4212-12SLH-MAN-BK	Elevate Aisle Containment Manual (Single Row Left Hand) Sliding Door 42U Racks 1200 Deep black
573-4712-12SLH-MAN-BK	Elevate Aisle Containment Manual (Single Row Left Hand) Sliding Door 47U Racks 1200 Deep black
573-5212-12SLH-MAN-BK	Elevate Aisle Containment Manual (Single Row Left Hand) Sliding Door 52U Racks 1200 Deep black
573-4210-12SRH-MAN-BK	Elevate Aisle Containment Manual (Single Row Right Hand) Sliding Door 42U Racks 1000 Deep black
573-4710-12SRH-MAN-BK	Elevate Aisle Containment Manual (Single Row Right Hand) Sliding Door 47U Racks 1000 Deep black
573-5210-12SRH-MAN-BK	Elevate Aisle Containment Manual (Single Row Right Hand) Sliding Door 52U Racks 1000 Deep black
573-4212-12SRH-MAN-BK	Elevate Aisle Containment Manual (Single Row Right Hand) Sliding Door 42U Racks 1200 Deep black
573-4712-12SRH-MAN-BK	Elevate Aisle Containment Manual (Single Row Right Hand) Sliding Door 47U Racks 1200 Deep black
573-5212-12SRH-MAN-BK	Elevate Aisle Containment Manual (Single Row Right Hand) Sliding Door 52U Racks 1200 Deep black