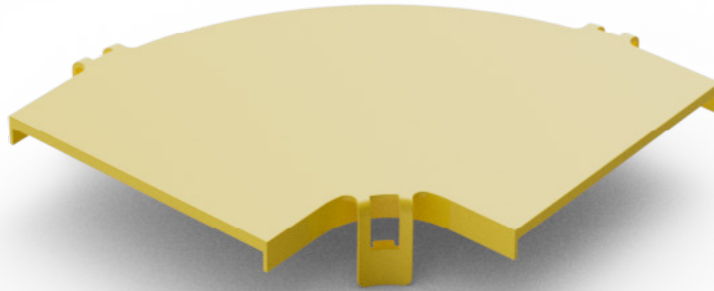


# Elevate Fibre Cable Duct System LSZH

## 90° Horizontal Elbow Cover



### Product Overview

Elevate Fibre Optic Cable Duct Systems are crafted from Low Smoke Zero Halogen (LSZH) material, ensuring superior safety and performance in critical environments. The LSZH material significantly reduces the emission of toxic and corrosive gases in the event of a fire, making it an ideal choice for use in confined spaces such as data centers, tunnels, and public buildings. This feature not only enhances safety but also complies with stringent fire safety regulations.

Available in a comprehensive range of sizes, the Elevate duct system is designed to accommodate various cable volumes, ensuring flexibility and scalability for your network infrastructure. Whether you need to manage a small bundle of cables or a large volume, our duct system provides the perfect fit. Additionally the Elevate solution includes a wide array of accessories, including bends, tees, and junctions, to meet diverse design requirements and facilitate easy installation and maintenance. This versatility ensures that our duct system can be seamlessly integrated into any network layout, providing a reliable and efficient solution for your fibre optic cable management need.

✓ LSZH Flame Retardant

✓ Easy to Assemble

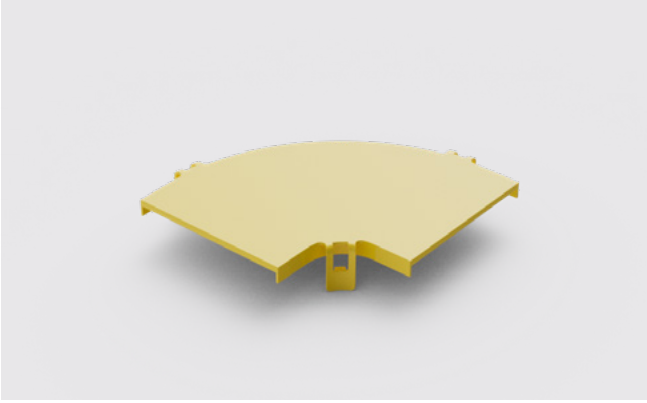
✓ Range of sizes and accessories

✓ UK Design Assistance

## Product Specifications

| Feature                   | Values                |
|---------------------------|-----------------------|
| Colour                    | Yellow (Pantone 123C) |
| Material                  | ABS Plastic           |
| Material Type             | LSZH                  |
| <b>460-100-ELB-90-CVR</b> |                       |
| Width                     | 100mm                 |
| Weight                    | 0.21kg                |
| <b>460-150-ELB-90-CVR</b> |                       |
| Width                     | 150mm                 |
| Weight                    | 0.15kg                |
| <b>460-240-ELB90-CVR</b>  |                       |
| Width                     | 240mm                 |
| Weight                    | 0.36kg                |
| <b>460-300-ELB90-CVR</b>  |                       |
| Width                     | 300mm                 |
| Weight                    | 0.70kg                |
| <b>460-360-ELB90-CVR</b>  |                       |
| Width                     | 360mm                 |
| Weight                    | 1.20kg                |
| <b>460-600-ELB90-CVR</b>  |                       |
| Width                     | 600mm                 |
| Weight                    | 3.05kg                |

## Product Features



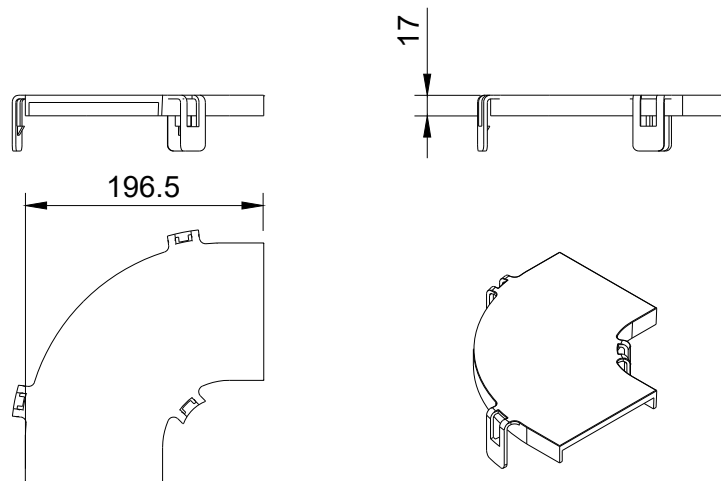
Application - 90° Horizontal Elbow Cover

Connection Type - Snap lock

Cover - Yes

## Product Drawing

Dimensions shown for 460-100-ELB90-CVR



## Applicable standard

| Standard                           | Description  |
|------------------------------------|--|
| Directive 2008/98/EC (WFD)         | Waste Framework Directive — compliant. Implemented in the UK through the Waste (England and Wales) Regulations 2011 (SI 2011 No. 988).   |
| ECHA SCIP Database                 | Compliant; product does not contain SVHCs (Substances of Very High Concern) as defined under REACH Article 33(1). Submission obligations met under EU REACH and UK REACH.  |
| Regulation (EU) 2019/1021 (POPs)   | EU Regulation on Persistent Organic Pollutants — compliant. For Great Britain, compliance is aligned with the Persistent Organic Pollutants (Amendment) (EU Exit) Regulations 2020 (SI 2020 No. 1355).   |
| Directive 2011/65/EU (RoHS II)     | Restriction of the Use of Certain Hazardous Substances in Electrical and Electronic Equipment — compliant. Applies within EU member states.  |
| Directive (EU) 2015/863 (RoHS III) | Amending Directive 2011/65/EU to add four phthalates (DEHP, BBP, DBP, DIBP) to Annex II — compliant.   |
| UK SI 2012 No. 3032                | The Restriction of the Use of Certain Hazardous Substances in Electrical and Electronic Equipment Regulations 2012 (UK RoHS) — compliant for Great Britain. Retained EU law, as amended by the Product Safety and Metrology (Amendment etc.) (EU Exit) Regulations 2019. |

## Part Number Table

| Part Number       | Description                           |
|-------------------|---------------------------------------|
| 460-100-ELB90-CVR | 90° Horizontal Elbow Cover 100mm Wide |
| 460-150-ELB90-CVR | 90° Horizontal Elbow Cover 150mm Wide |
| 460-240-ELB90-CVR | 90° Horizontal Elbow Cover 240mm Wide |
| 460-300-ELB90-CVR | 90° Horizontal Elbow Cover 300mm Wide |
| 460-360-ELB90-CVR | 90° Horizontal Elbow Cover 360mm Wide |
| 460-600-ELB90-CVR | 90° Horizontal Elbow Cover 600mm Wide |